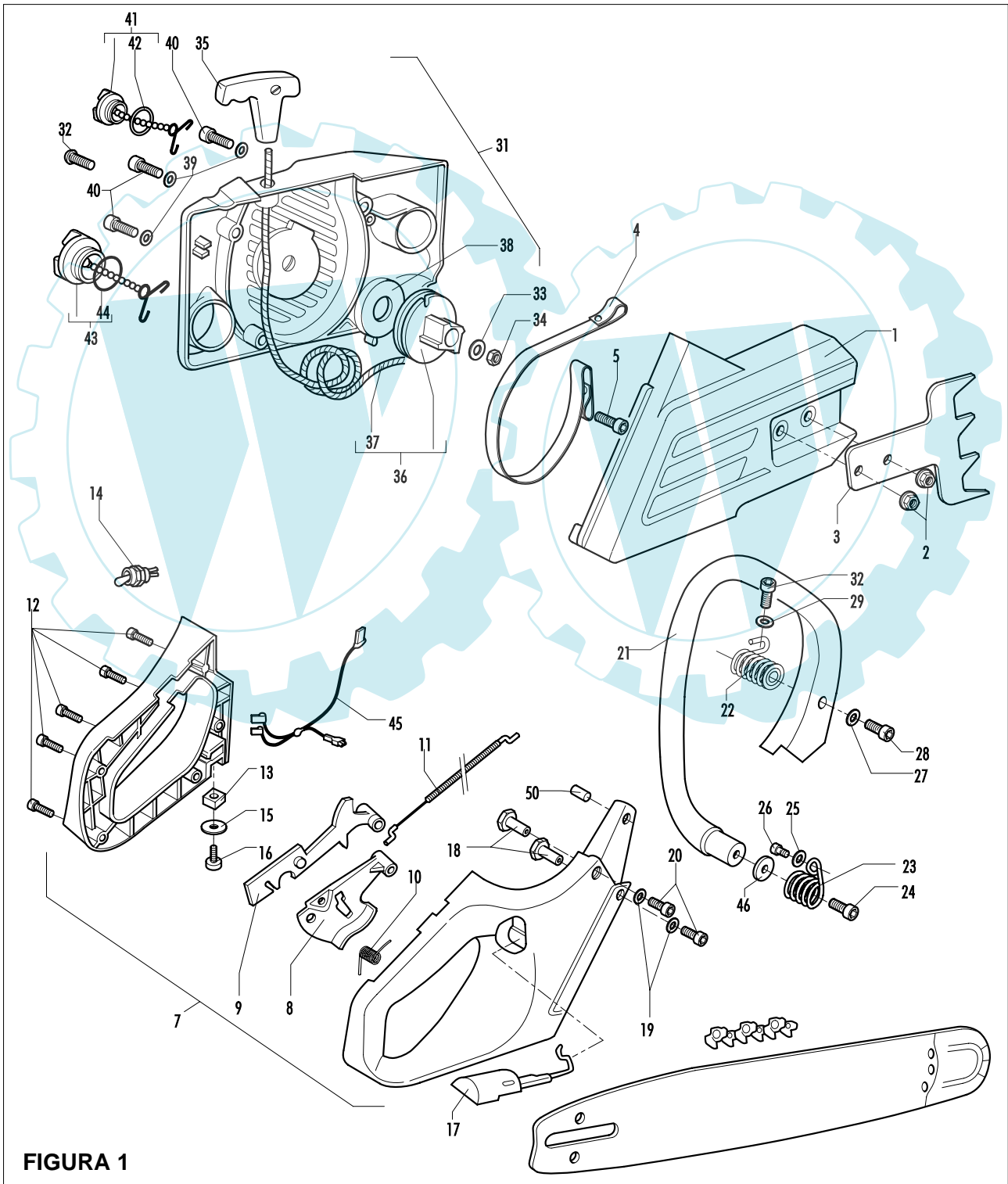


brand	MC CULLOCH
-------	------------

date	JAN/03	SHEET 1/6
------	--------	-----------

Model	Prefix
MAC 538E 14"	01

Product number
953900219



brand	MC CULLOCH
-------	------------

date	JAN/03	SHEET 2/6
------	--------	-----------

Model	Prefix
<b>MAC 538E 14"</b>	<b>01</b>

Product number
<b>953900219</b>

**FIGURA 1**

pos	P/N McC	P/N ELX	Qty	DESCRIPTION
C 1	248438	538248438	1	KIT CLUTCH COVER
A 2	242501	538242501	2	M6 / CH13
C 3	241993	538241993	1	SPIKE
B 4	235073	538235073	1	BAND BRAKE
5	235812	538235812	1	SPECIAL BRAKE SCREW
C 7	240339	538240339	1	REAR HANDLE ASSY
C 8 ●	240301	538240301	1	GAS LEVER
C 9 ●	240302	538240302	1	SAFETY TRIGGER
10 ●	240303	538240303	1	GAS LEVER SPRING
C 11 ●	240367	538240367	1	WIRE ASSY
12 ●	240862	538240862	5	SCREW 4X18
13	229524	538229524	1	NUT M5
C 14	240859	538240859	1	SWITCH ON/OFF
15	227259	538227259	1	WASHER
16	240845	538240845	1	SCREW
C 17	247259	538247259	1	ROD CHOK ASSY
18	240315	538240315	2	NUT
19	235248	538235248	2	WASHER M5
20	235802	538235802	2	SCREW M5 X 14 TCE
21	240281	538240281	1	FRONT HANDLE
B 22	241231	538241231	1	UPPER AV SPRING ASSY
B 22	240289	538240289	1	SPRING
B 23	240285	538240285	1	SPRING
24	240354	538240354	1	SCREW 6X30
25	235248	538235248	1	WASHER M5
26	235802	538235802	1	SCREW M5 X 14 TCE
27	235248	538235248	1	WASHER M5
28	235803	538235803	1	SCREW M5 X 25 TCE
29	227259	538227259	1	WASHER
30	235802	538235802	1	SCREW M5 X 14 TCE
C 31	241854	538241854	1	STARTER ASSY
32 ●	240316	538240316	1	SCREW M5X35
33 ●	240921	538240921	1	WASHER
34 ●	229208	538229208	1	NUT M5
35 ●	240884	538240884	1	STARTER-HANDLE
B 36 ●	235372	538235372	1	DRUM AND ROPE
A 37 ●●	235042	538235042	1	ROPE

pos	P/N McC	P/N ELX	Qty	DESCRIPTION
B 38 ●	235040	538235040	1	SPRING
39	235248	538235248	3	WASHER M5
40	236997	538236997	3	M5X30 SCREW
B 41	240866	538240866	1	OIL CAP ASSY
C 42 ●	235511	538235511	1	O-RING OIL CAP
B 43	240865	538240865	1	FUEL CAP ASSY
C 44 ●	235510	538235510	1	O-RING MIX CAP
C 45 ●	240370	538240370	1	CABLE ASSY
46	236934	538236934	1	WASHER
50	240323	538240323	1	SPACER

A= ALTA ROTAZIONE  
B=MEDIA ROTAZIONE  
C=BASSA ROTAZIONE

A=HIGH MOVING  
B=MEDIUM MOVING  
C=SLOW MOVING

A=HAUTE DEMANDE  
B=MOYENNE DEMANDE  
C=BASSE DEMANDE

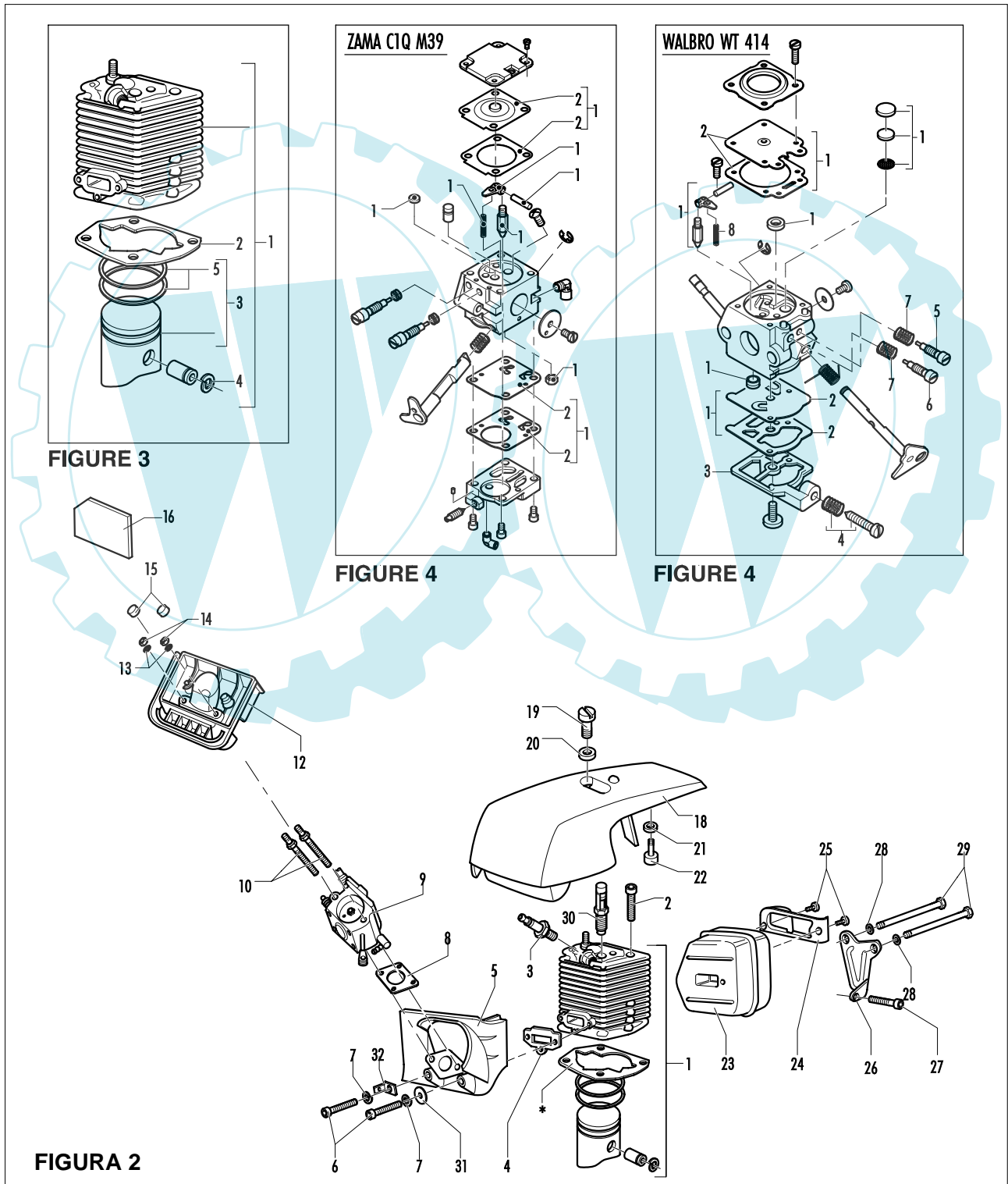
A=GROßE NACHFRAGE  
B=MITTELMAßIGE  
C=WENIGE NACHFRAGE

brand	<b>MC CULLOCH</b>
-------	-------------------

date	JAN/03	SHEET 3/6
------	--------	-----------

Model	Prefix
<b>MAC 538E 14"</b>	01

Product number
<b>953900219</b>



brand	MC CULLOCH
-------	------------

date	JAN/03	SHEET 4/6
------	--------	-----------

Model	Prefix
MAC 538E 14"	01

Product number
953900219

**FIGURA 2**

pos	P/N McC	P/N ELX	Qty	DESCRIPTION
C 1	<b>FIGURA 3</b>			
2	227565	538227565	4	SCREW M6X25
A 3	92879	538092879	1	SPARK PLUG RDJ8J
B 4	240345	538240345	1	GASKET
5	240271	538240271	1	CARBURETOR SPACER
6	236997	538236997	2	M5X30 SCREW
7	236529	538236529	2	SPLIT WASHER
A 8	227692	538227692	1	GASKET
C 9	<b>FIGURA 4</b>			
10	240328	538240328	2	BAR BOLT
12	240262	538240262	1	AIR FILTER BOX
13	235248	538235248	2	WASHER M5
14	235216	538235216	2	NUT M5
15	241239	538241239	2	RUBBER CAP
B 16	241238	538241238	1	AIR FILTER
18	242669	538242669	1	ENGINE COVER ASSY
19	● 240320	538240320	1	SCREW
20	● 240321	538240321	1	WASHER
21	● 236936	538236936	1	WASHER
22	● 240272	538240272	1	FAN BAFFLE
23	240291	538240291	1	MUFFLER
24	● 240297	538240297	1	PROMAC MUFFLER BAFFLE
25	● 236981	538236981	2	T5 SCREW
26	240299	538240299	1	SUPPORT MUFFLER
27	236997	538236997	1	M5X30 SCREW
28	227626	538227626	2	WASHER D-5
29	227567	538227567	2	SCREW M5X70
30	94273	538094273	1	VALVE COMPRELEASE
31	235248	538235248	1	WASHER M5
32	228139	538228139	1	CONTACT WIRE

**FIGURA 3**

pos	P/N McC	P/N ELX	Qty	DESCRIPTION
C 1	247253	538247253	1	CYLINDER KIT
B 2	● 240343	538240343	1	GASKET
C 3	● 247256	538247256	1	PISTON KIT
4	●● 235008	538235008	2	RING SNAP INT.
B 5	●● 240005	538240005	2	PISTON RING (1PC)

**FIGURA 4**

WALBRO WT 414				
pos	P/N McC	P/N ELX	Qty	DESCRIPTION
C -	240350	538240350	1	CARBURATOR WT 414
B 1	● 247260	538247260	1	MAIN KIT CARB.K20 WAT
A 2	●● 229191	538229191	1	GASKET-DIAPH.W
3	● 247261	538247261	1	PUMP COVER
4	● 237481	538237481	1	IDLE SCREW KIT
5	● 247388	538247388	1	HI SCREW CARB.WT 414
6	● 246540	538246540	1	HIGH SPEED NEEDLE
7	● 229601	538229601	2	NEEDLES SPRING
C 8	● 247387	538247387	1	98-3249 SPRING
ZAMA C1Q M39				
C -	242062	538242062	1	CARB.ZAMA C1Q M39
B 1	● 226226	538226226	1	KIT REPAIR CARB.C1Q
A 2	●● 226227	538226227	1	KIT GASKET+DIAPH C1Q

A= ALTA ROTAZIONE  
B=MEDIA ROTAZIONE  
C=BASSA ROTAZIONE

A=HIGH MOVING  
B=MEDIUM MOVING  
C=SLOW MOVING

A=HAUTE DEMANDE  
B=MOYENNE DEMANDE  
C=BASSE DEMANDE

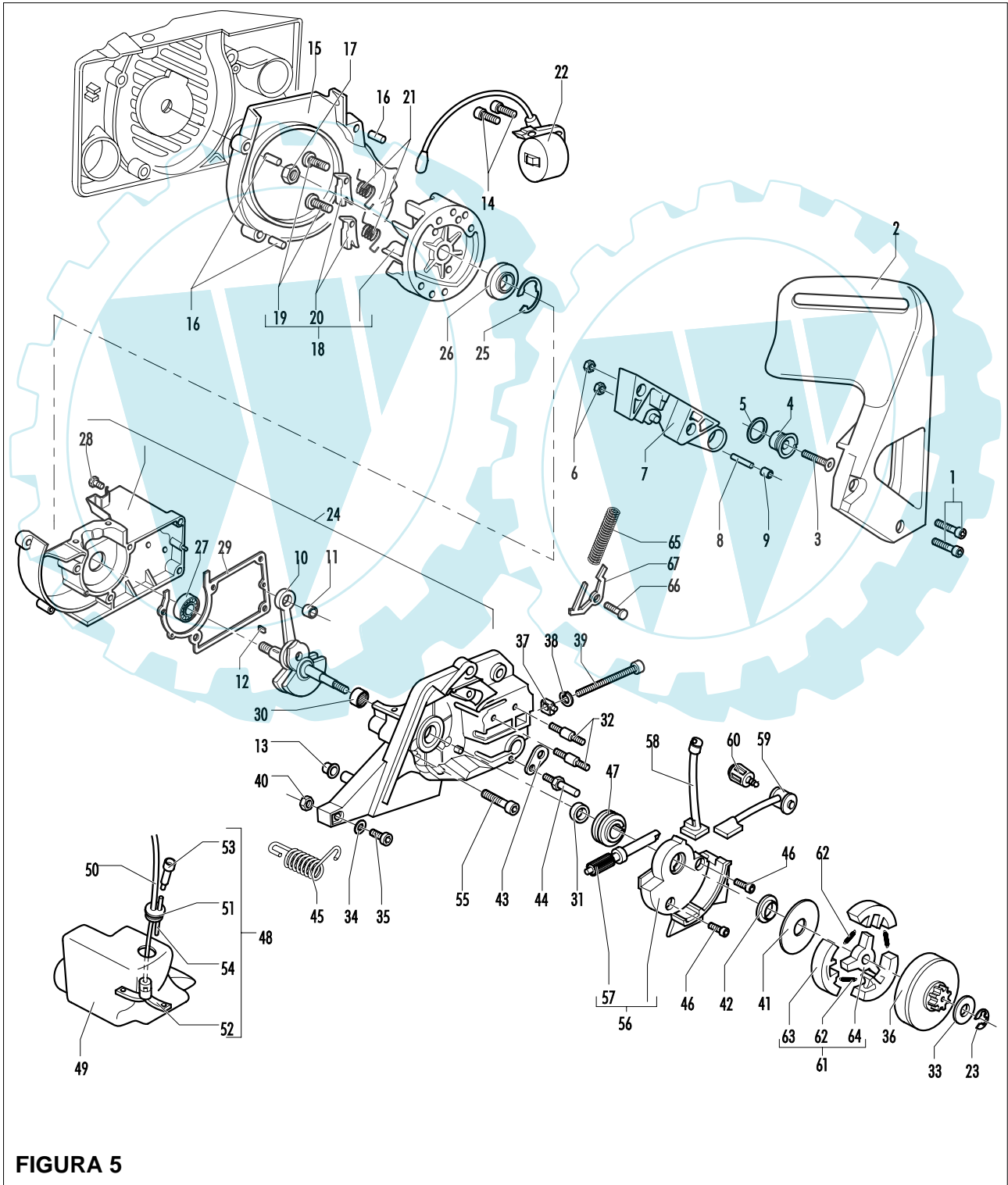
A=GROßE NACHFRAGE  
B=MITTELMAßIGE  
C=WENIGE NACHFRAGE

brand	<b>MC CULLOCH</b>
-------	-------------------

date	JAN/03	SHEET 5/6
------	--------	-----------

Model	Prefix
<b>MAC 538E 14"</b>	01

Product number
<b>953900219</b>



**FIGURA 5**

brand	MC CULLOCH
-------	------------

**ELECTROLUX OUTDOOR PRODUCTS**

date	JAN/03	SHEET 6/6
------	--------	-----------

Model	Prefix
MAC 538E 14"	01

Product number
953900219

**FIGURA 5**

pos	P/N McC	P/N ELX	Qty	DESCRIPTION	pos	P/N McC	P/N ELX	Qty	DESCRIPTION
1	235806	538235806	2	SCREW M5 X 20 TCE	B 36	240260	538240260	1	DRUM SPROCKET 3/8
C 2	241907	538241907	1	BRAKE LEVER					
3	241905	538241905	1	SCREW M6X25	B 37	241908	538241908	1	NUT BAR ADJUSTEMENT
4	241904	538241904	1	SLEEVE	B 38	235367	538235367	1	BENZING 4MM
5	241906	538241906	1	PLAN WASHER D.10X15X1	B 39	241909	538241909	1	SCREW
6	235642	538235642	2	NUT M5	40	235642	538235642	1	NUT M5
7	241902	538241902	1	BRAKE HOUSING	41	241346	538241346	1	WASHER
8	242017	538242017	1	BAND PIVOT	42	242006	538242006	1	CLUTCH SPACER
9	241903	538241903	1	BRAKE NEEDLE	43	240309	538240309	1	PLATE OIL CAP
10	241871	538241871	1	CRANKSHAFT ASSY	C 44	240363	538240363	1	CHAIN BRAKE
C 11	235742	538235742	1	NEEDLE BEARING 0 9X14X12 MM	B 45	240286	538240286	1	SPRING
C 11	227329	538227329	1	BEARING NEEDLE	46	235802	538235802	2	SCREW M5 X 14 TCE
12	227631	538227631	1	KEY	C 47	241882	538241882	1	OIL PUMP SCREW
13	235672	538235672	1	RUBBER SUPPORT TANK	48	240920	538240920	1	FUEL TANK ASSY
14	235806	538235806	2	SCREW M5 X 20 TCE	49	240300	538240300	1	FUEL TANK
15	247290	538247290	1	AIR CONVEYOR	B 50	240868	538240868	1	HOSE FUEL
16	240358	538240358	3	SPACER	C 51	235675	538235675	1	FUELTANK GROMMET
17	235218	538235218	1	NUT M8	A 52	240452	538240452	1	PICK UP FUEL
18	241204	538241204	1	FLYWHEEL KEY=2 S7	C 53	227582	538227582	1	VENT FILTER
B 19	235516	538235516	2	STARTER PIN PAWL	54	229716	538229716	1	BREATHER PIPE OIL TANK
B 20	235517	538235517	2	STARTER PAWL	55	236997	538236997	4	M5X30 SCREW
B 21	235518	538235518	2	STARTER SPRING	B 56	241883	538241883	1	OIL PUMP ASSY
C 22	241291	538241291	1	IGNITION COIL ASSY-S5	C 57	241885	538241885	1	OIL PUMP PISTON KIT (S5E)
23	229137	538229137	1	BENZING 8MM	58	241895	538241895	1	PIPE JOINT
24	248497	538248497	1	L CRANKCASE KIT	59	241896	538241896	1	TUBE OIL PUMP
25	235899	538235899	1	SEEGER RING	C 60	225063	538225063	1	BUMPER CUT CONTROL
C 26	241879	538241879	1	SEAL 15X32X4/5	61	242004	538242004	1	CLUTCH KIT
27	235900	538235900	1	BALL BEARING 6002 15/32/9	B 62	240926	538240926	3	SPRING
28	241077	538241077	1	SELF-THREAD. SCREW 4X14	63	227359	538227359	3	SHOE-CLUTCH
29	240312	538240312	1	GASKET	64	242005	538242005	1	ROTOR CLUCTCH
30	241253	538241253	1	NEEDLE BEARING 15X21X12	65	235076	538235076	1	BRAKE SPRING
C 31	228872	538228872	1	SEAL 13-32-5 (S7)	66	235075	538235075	1	LATCH PIVOT
B 32	241880	538241880	2	BAR BOLT	67	94006	538094006	1	BRAKE LATCH
33	235287	538235287	1	CLUTCH WASHER					
34	227259	538227259	1	WASHER					
35	235806	538235806	1	SCREW M5 X 20 TCE					

A= ALTA ROTAZIONE  
B=MEDIA ROTAZIONE  
C=BASSA ROTAZIONE

A=HIGH MOVING  
B=MEDIUM MOVING  
C=SLOW MOVING

A=HAUTE DEMANDE  
B=MOYENNE DEMANDE  
C=BASSE DEMANDE

A=GROßE NACHFRAGE  
B=MITTELMAßIGE  
C=WENIGE NACHFRAGE